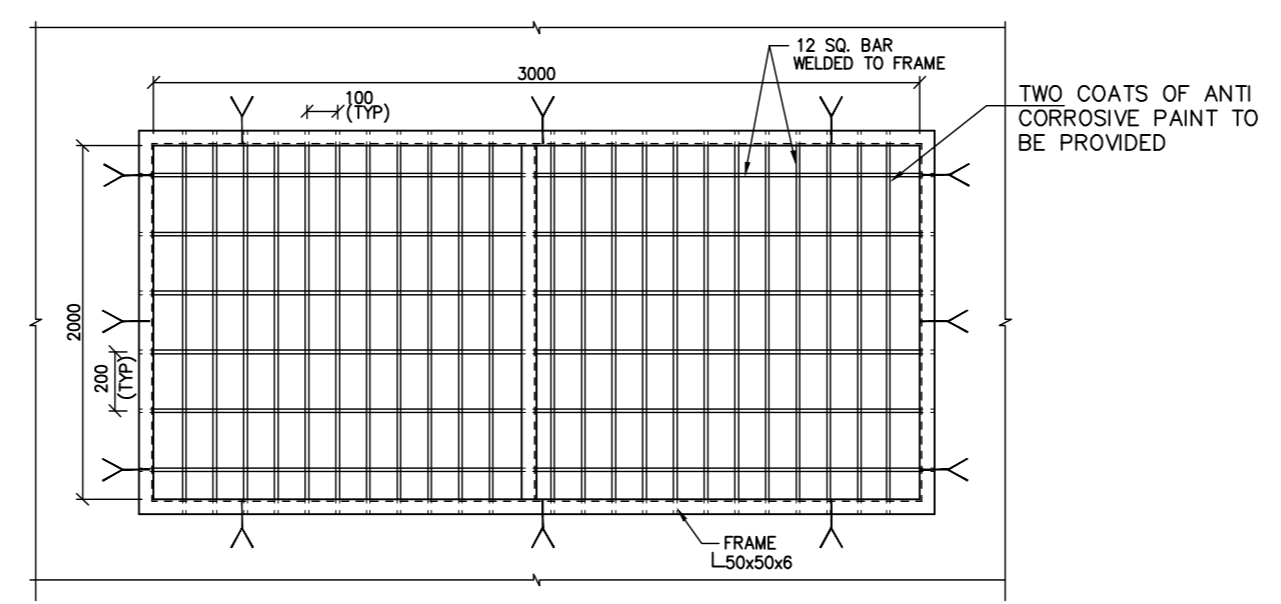
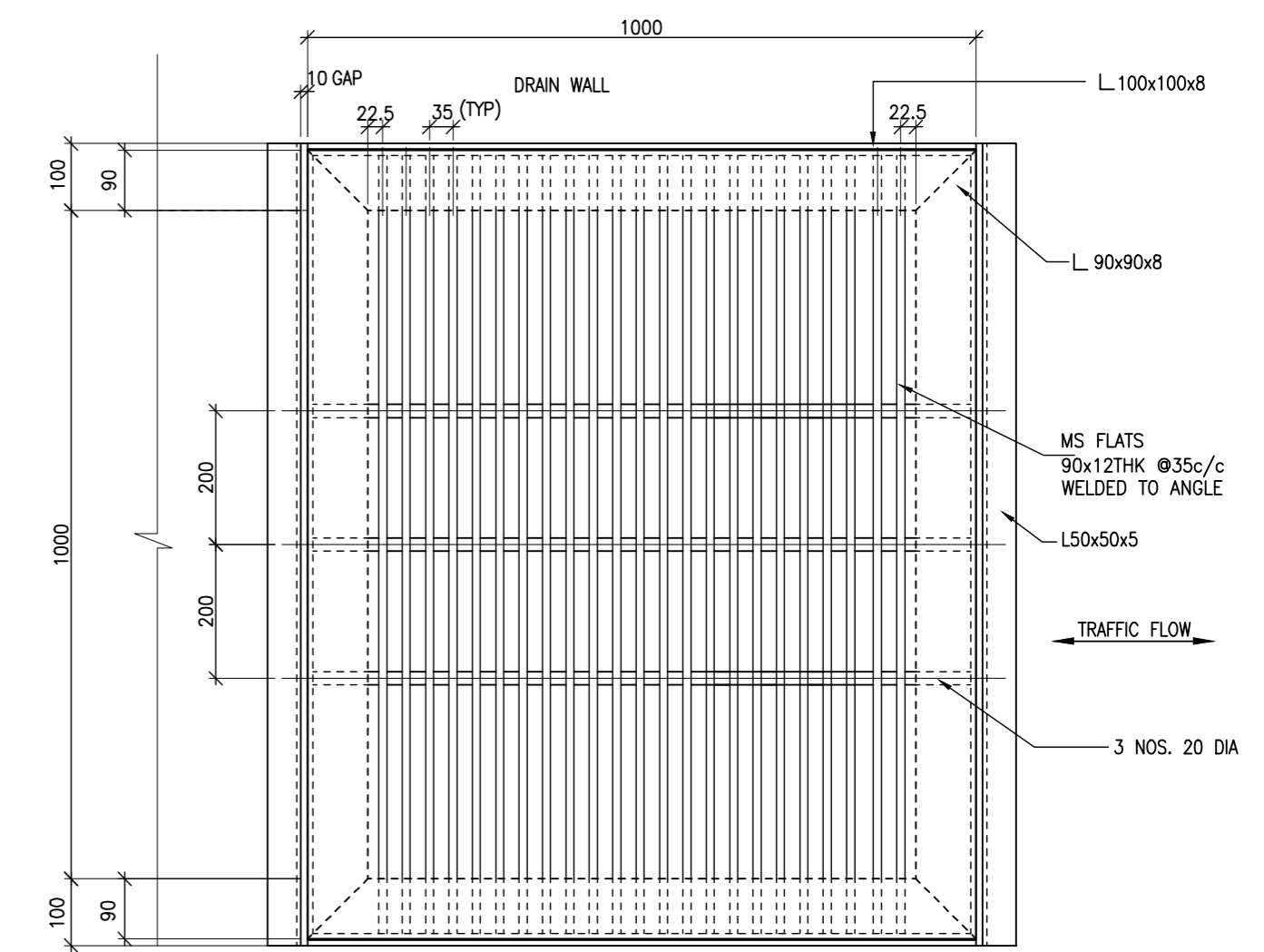


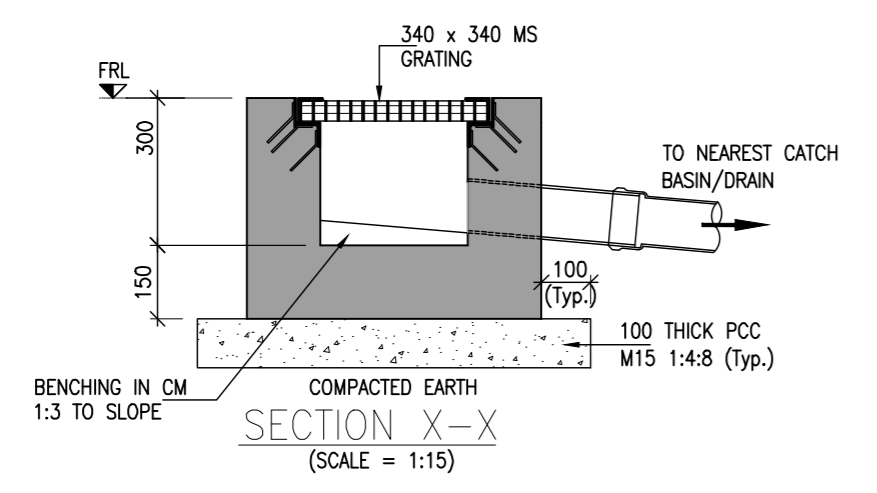
TYPICAL CROSS SECTION  
(SCALE=1:75)



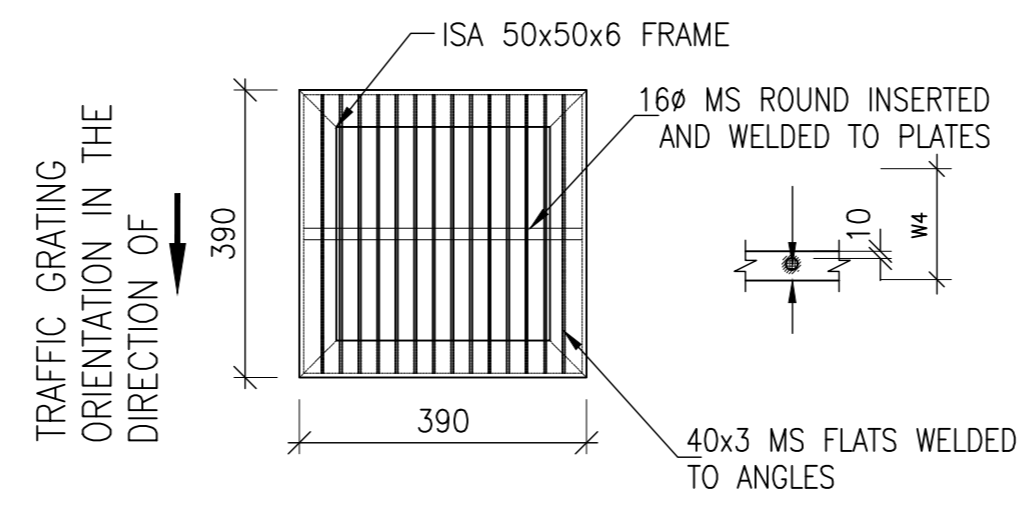
DETAILS OF VERTICAL STEEL GRATING  
(SCALE 1:25)



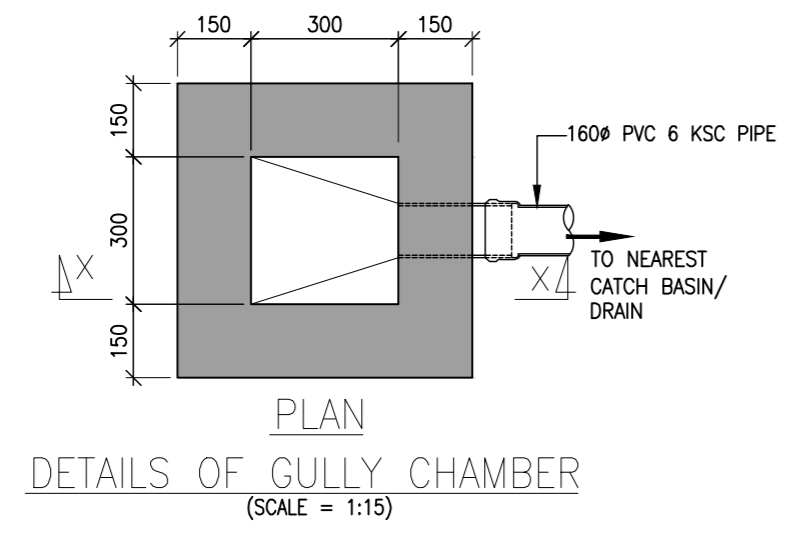
PLAN  
DETAILS OF STEEL GRATING  
(SCALE 1:10)



SECTION X-X  
(SCALE = 1:15)



DETAILS OF GRATING COVER  
(SCALE = 1:15)



PLAN  
DETAILS OF GULLY CHAMBER  
(SCALE = 1:15)

- NOTES :
1. ONLY WRITTEN DIMENSIONS SHALL BE FOLLOWED. THE DRAWING SHALL NOT BE SCALED.
  2. THIS DRAWING SHALL BE READ IN CONJUNCTION WITH ALL RELEVANT ARCHITECTURAL, ELECTRICAL & SERVICES DRAWINGS. ANY DISCREPANCIES / AMBIGUITIES IF ANY SHALL BE BROUGHT TO THE NOTICE OF THE CONSULTANTS BEFORE COMMENCEMENT OF THE WORK AT SITE.
  3. APPROVED/LATEST ROAD PROFILE DRAWINGS SHALL BE REFERRED FOR ROAD FORMATION LEVELS.

REFERENCE DRAWINGS  
14/14054/E/PHE/SD-001 (R0) : DRAINAGE NETWORK PLAN

DATE	No.	REVISION	DRAWN	PREPARED	CHECKED	APPROVED
04-04-19	RO	FOR APPROVAL	NRM	SNB	RSP	YDM

<input checked="" type="checkbox"/> APPROVAL	<input type="checkbox"/> CONSTRUCTION
<input type="checkbox"/> INFORMATION	<input type="checkbox"/> TENDER
<input type="checkbox"/> DRAFT	<input type="checkbox"/> PRELIMINARY

RELEASED FOR					
GIS					
HIGHWAYS			MAJOR STRUCTURES		
ELECTRICAL			IRRIGATION/WATER RESOURCES		
BUILDINGS			PHE / PLUMBING/FIREFIGHTING		
ARCHITECTURE			MECHANICAL / HVAC		
CHECKED BY	SIGN	DATE	CHECKED BY	SIGN	DATE

REGISTERED OFFICE :  
1004-S RAHEJA CHAMBERS,  
NARIMAN POINT,  
MUMBAI-400 021  
http://www.stupco.com

OFFICE OF ORIGIN :  
A-1 TOWER, 5th & 6th FLOOR,  
"GOLDEN ENCLAVE"  
HAL AIRPORT ROAD,  
BENGALURU-560 017,  
Tel: 080-40397979

**STUP Consultants Pvt. Ltd.**

OWNER : KARNATAKA STATE INDUSTRIAL AND INFRASTRUCTURE DEVELOPMENT CORPORATION LTD

CONTRACTOR : NRM

PROJECT : CONSULTANCY SERVICES FOR DESIGN AND DETAILED ENGINEERING FOR TRUNK INFRASTRUCTURE & PROJECT MANAGEMENT CONSULTANCY (PMC) FOR DEVELOPMENT OF BENGALURU SIGNATURE BUSINESS PARK (BSBP).

TITLE : STEEL GRATING DETAILS

DRG.NO.: 14/14054/E/PHE/SD-0008(R0)

DATE : 04-04-2019

PREPARED : SNB

CHECKED : RSP

APPROVED : YDM

SCALE : AS NOTED